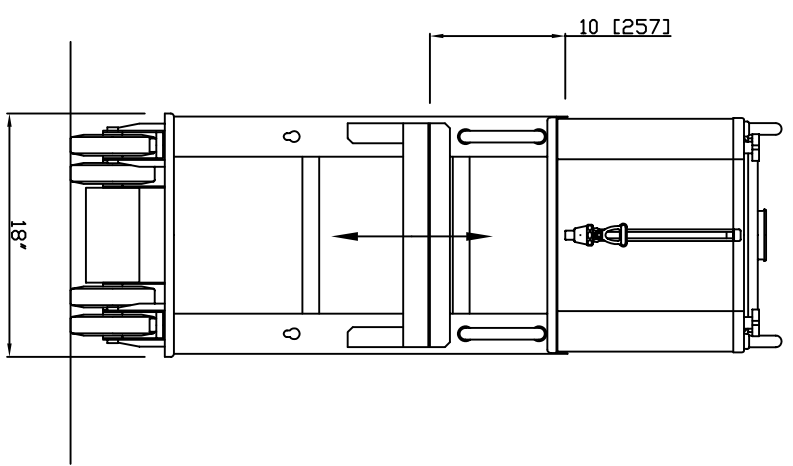
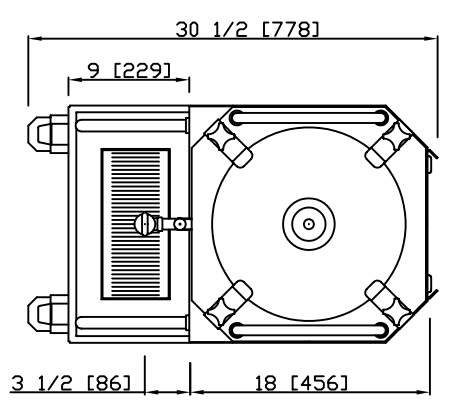
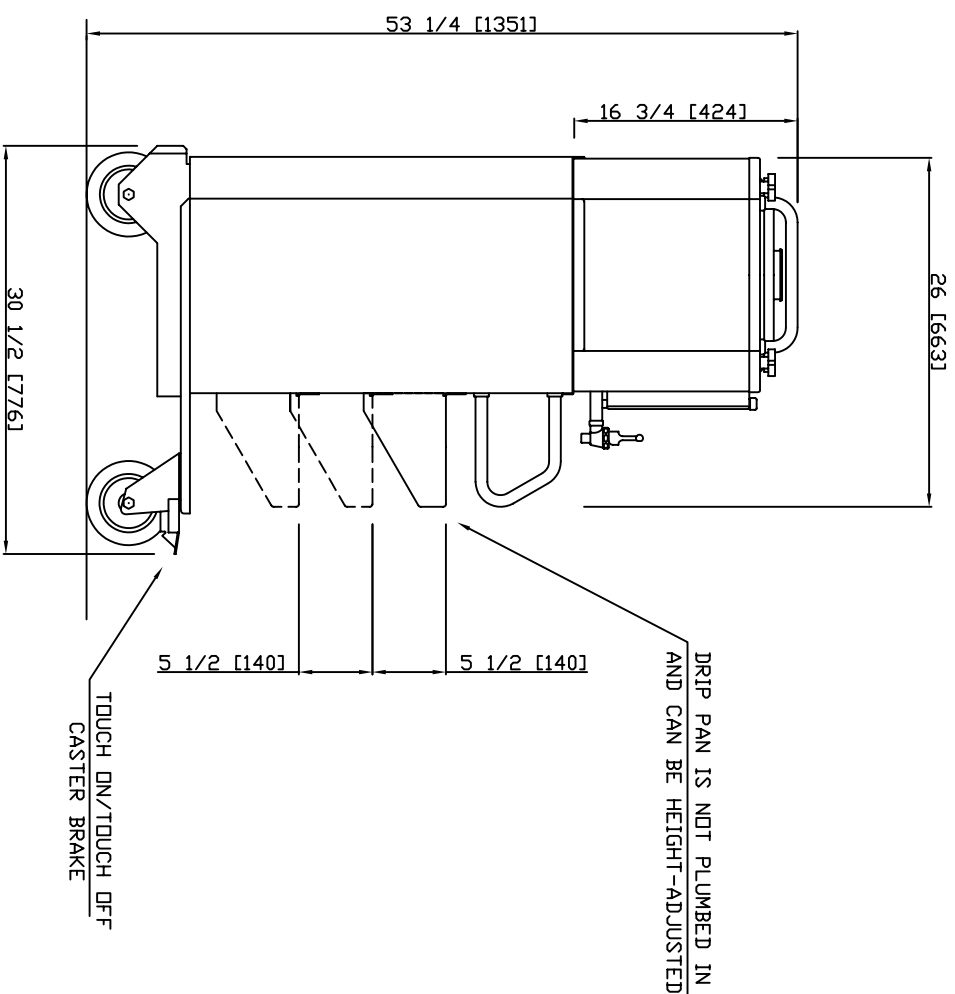


NOTE:
 NO UTILITY CONNECTIONS REQUIRED

TOTAL WEIGHT
 IN USE (LBS/KG):
 201.9/91.8



LUXUS 6GAL. MOBILE BEVERAGE DISPENSER

FETCD

640 HEATHROW DRIVE, LINCOLNSHIRE, IL. 60069, TEL: (800) FETCD-99

MODEL:
 LBD-6C

ROUGHING-IN SPECIFICATION

DRV. NO.
 201052-001

SCALE:
 1:15