

1.9L Thermal Carafe ORNG (1pk)

Height: 7.7" Width: 7.0" Depth: 8.1"
(19.6cm) (17.8cm) (20.6cm)

- Holds 62oz (1.83L) of coffee or other hot beverages
- Unbreakable stainless steel interior and exterior
- Vacuum insulation keeps beverages hot for hours



Agency:



Specifications

Product #: 36252.0001

Finish: Stainless/Black

Liner: Stainless Steel

Lid Color: Orange

Additional Features

Holding Capacity

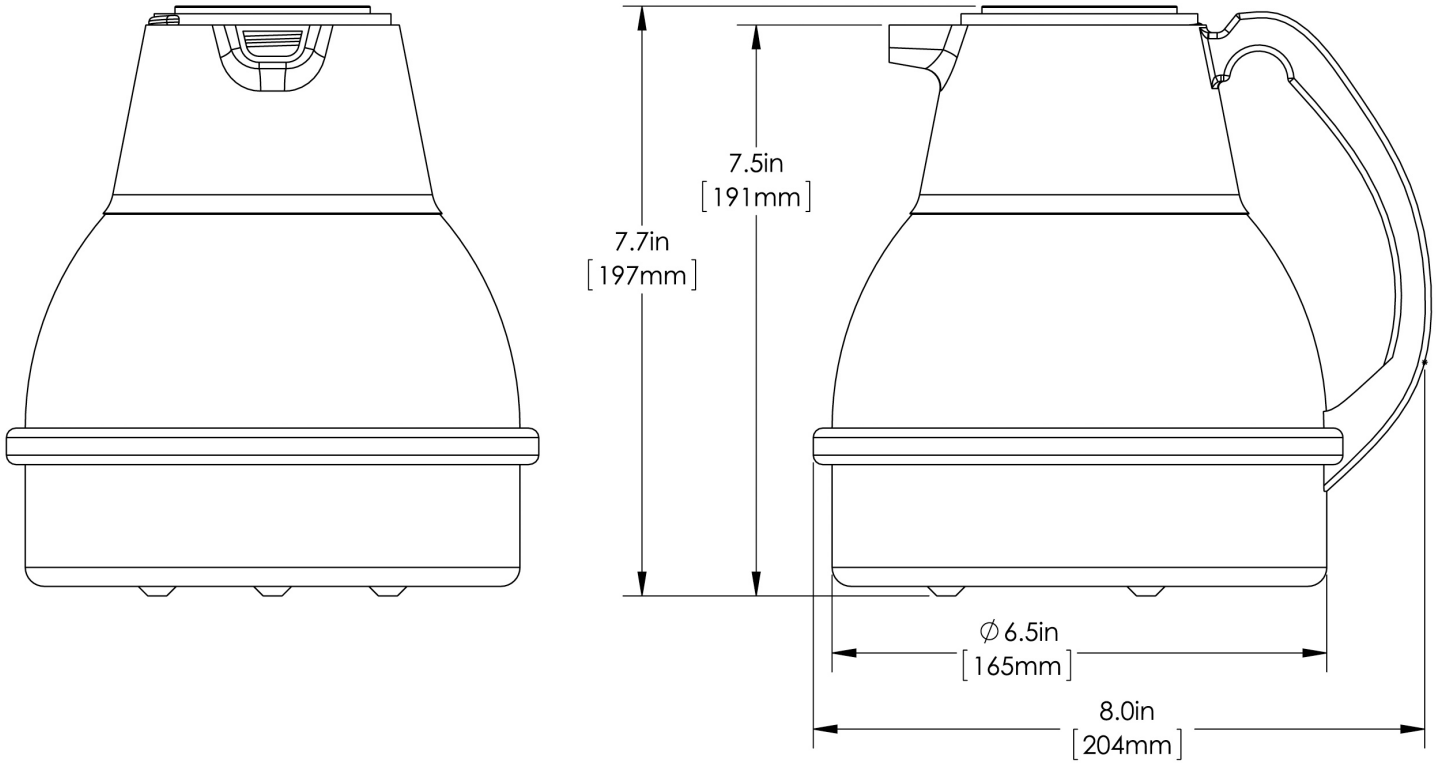
English	Metric
62 oz.	1.8 L

 **WARNING:**



BUNN® reserves the right to change specifications and product design without notice. Such revisions do not entitle the buyer to corresponding changes, improvements, additions or replacements for previously purchased equipment. For most current specifications and other info visit bunn.com.

Last Updated:
07/02/2026



	Unit			Shipping				
	Height	Width	Depth	Height	Width	Depth	Weight	Volume
English	7.7 in.	7.0 in.	8.1 in.	9.1 in.	7.8 in.	7.8 in.	2.800 lbs	0.318 ft ³
Metric	19.6 cm	17.8 cm	20.6 cm	23.2 cm	19.7 cm	19.7 cm	1.270 kgs	0.009 m ³



BUNN® reserves the right to change specifications and product design without notice. Such revisions do not entitle the buyer to corresponding changes, improvements, additions or replacements for previously purchased equipment. For most current specifications and other info visit bunn.com.

Last Updated:
07/02/2026

Related Products & Accessories: 1.9L Thermal Carafe ORNG (1pk)(36252.0001)



THERMAL CARAFE, BLK
1.9L 12PK

Product #: 36029.0000⁵
Mfr#:SH-DE19A



THERMAL CARAFE,ORN
1.9L 12PK

Product #: 36252.0000⁵
Mfr#:SH-DE19A

STOPPER, THRM L
CARFE 1.9L-ORG

Product #: 36254.0001



CARAFE,SST 1.9L SHRT
BLK 1

Product #: 40163.0000⁶



CARAFE,THRM L
SEAMLESS 1.9L BLK &
ORN LID

Product #: 51746.0003⁶

CARAFE,THRM SMLS
1.9L BLK & ORN 12/CS

Product #: 51746.0103

¹NSF Certified ²NSF Certified with spec sheet model listed ³NSF Certified under Solventum Purification ⁴NSF Certified under Vivreau Ltd ⁵NSF Certified under Zojirushi ⁶NSF Certified under Qins Inc ⁷NSF COMPONENT Certified



BUNN® reserves the right to change specifications and product design without notice. Such revisions do not entitle the buyer to corresponding changes, improvements, additions or replacements for previously purchased equipment. For most current specifications and other info visit bunn.com.

Last Updated:
07/02/2026

Model Compatibility: 1.9L Thermal Carafe ORNG (1pk)(36252.0001)

Serving and Holding selections are currently unavailable. Please contact your sales representative to find out more information.

¹NSF Certified ²NSF Certified with spec sheet model listed ³NSF Certified under Solventum Purification ⁴NSF Certified under Vivreau Ltd ⁵NSF Certified under Zojirushi ⁶NSF Certified under Qins Inc ⁷NSF COMPONENT Certified



BUNN® reserves the right to change specifications and product design without notice. Such revisions do not entitle the buyer to corresponding changes, improvements, additions or replacements for previously purchased equipment. For most current specifications and other info visit bunn.com.

Last Updated:
07/02/2026